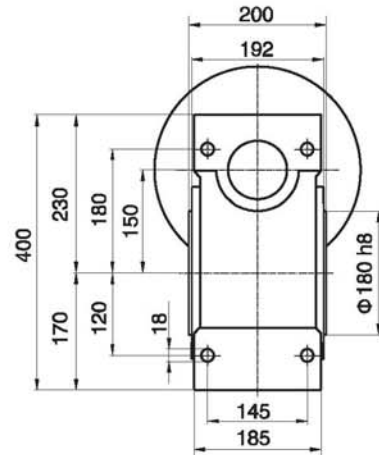
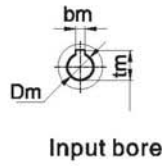
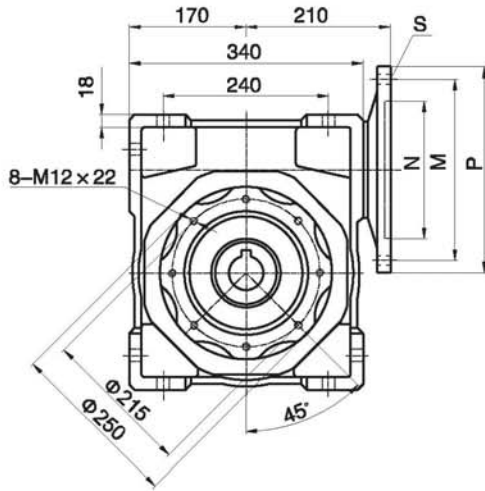


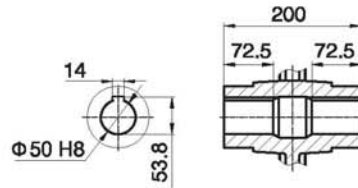
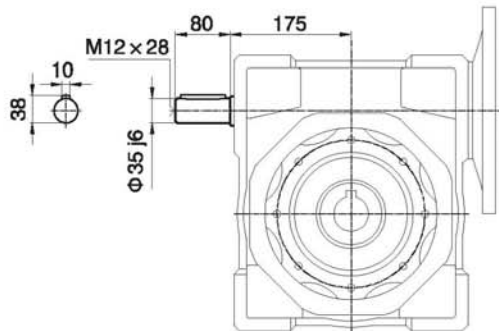
Dimensions

NMRV

150



NMRV.VS



Output bore



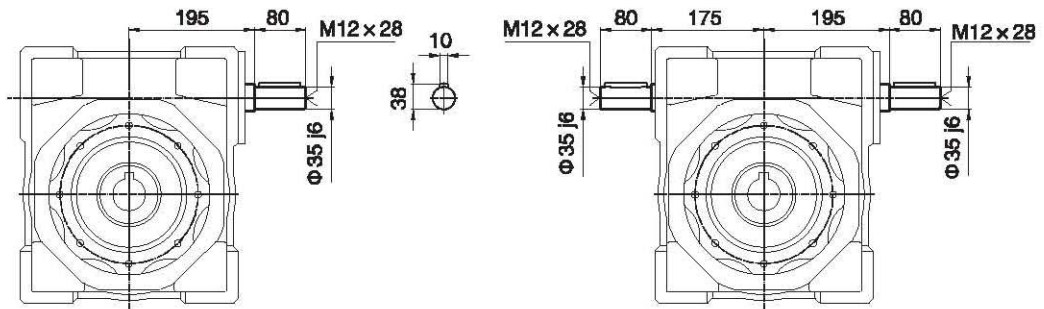
PAM-IEC	N (H8)	M	P	bm	tm	S	Dm(H7)												
							5	7.5	10	15	20	25	30	40	50	60	80	100	Depth
160B5	Φ250	Φ300	Φ350	12	45.3	Φ15	-	42*	42*	42*	42*	42*	42*	42*	-	-	-	-	110
132B5	Φ230	Φ265	Φ300	10	41.3	Φ15	-	-	-	-	-	38	38	38	38	38	-	-	80
100/112B5	Φ180	Φ215	Φ250	8	31.3	Φ15	-	-	-	-	-	-	-	28	28	28	28	28	60

Weight:84kg

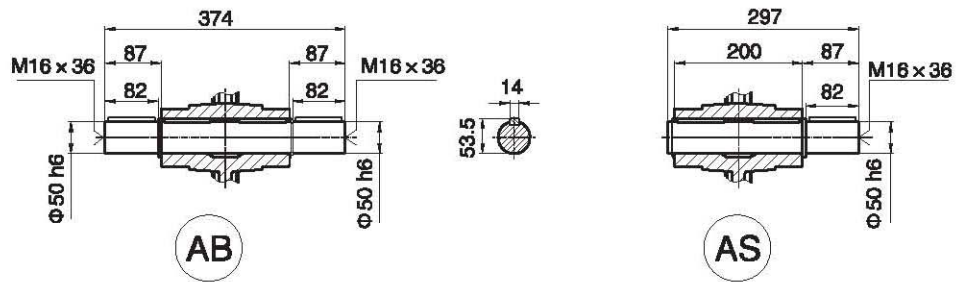
Dimensions

NRV

150



Output shaft



Output flange

